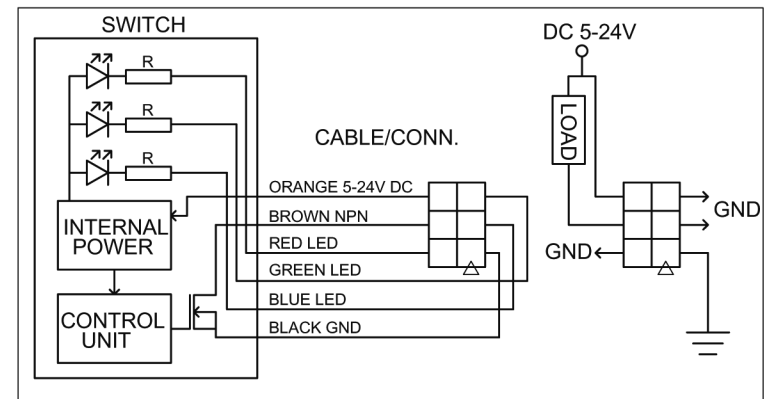
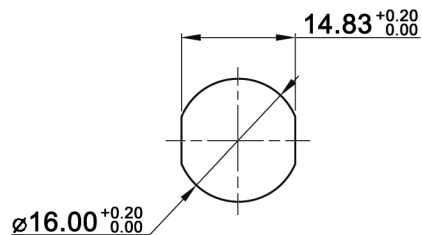


APPLICATION DIAGRAM



PANEL CUT-OUT



MAX. PANEL THICKNESS: 8.0 mm

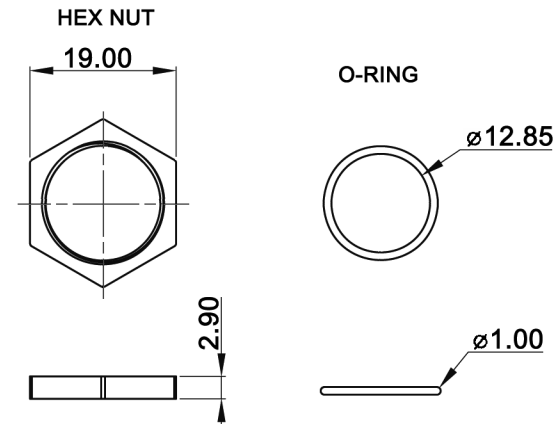
Compliance: RohS III (2015/863/EU)

Tolerances: 0.00: ±0.25 mm 0.0: ±0.40 mm			Date	Name	CTK 16 L-A1-F1FG00-3CD201
			08/18	dr	
			knitter-switch		30 41 30
Current consumption	10/24	dr			Page
Modifications	Date	Name			1/2

Specifications:

Contact rating: 1 A, 5-24 V DC
Contact resistance: 1 Ohm max.
Current consumption: 2 mA max., 0.1 mA typ. (switch, no LED active)
 10 mA max. (per active LED)
Operating temperature: -20°C to +65°C
Mechanical life: 50 000 000 cycles min.
Type: lock
Indicator color: red/green/blue
IP class: IP68
Material: Bushing: aluminum alloy
 Cap: PC, aluminum alloy
 Sealing: silicone, epoxy
 O-ring: silicone
 Hex nut: brass, nickel plated

HARDWARE



Compliance: RohS III (2015/863/EU)

Tolerances: 0.00: ±0.25 mm 0.0: ±0.40 mm			Date	Name	CTK 16 L-A1-F1FG00-3CD201
			08/18	dr	
			knitter-switch		30 41 30
Current consumption	10/24	dr			Page
Modifications	Date	Name			2/2